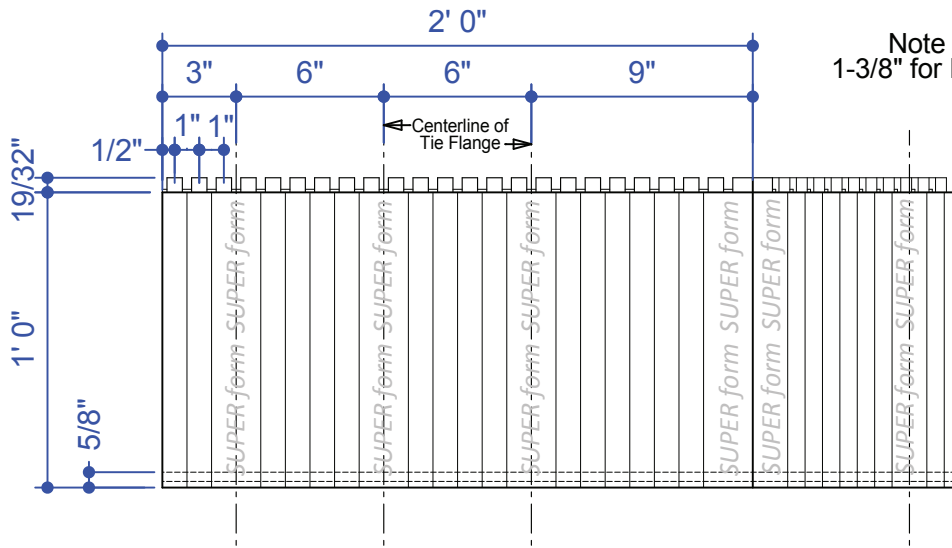
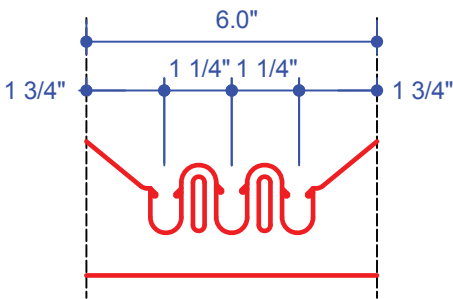


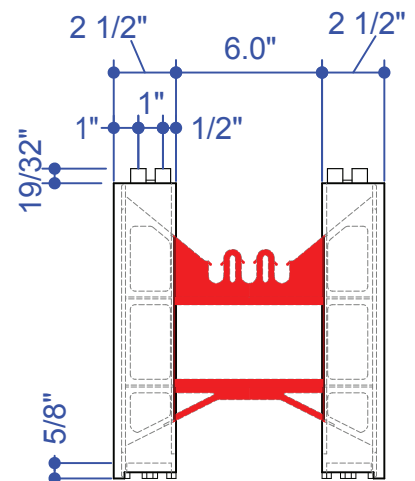
Note : Tie flange Width of 1-3/8" for Fastening behind SF logo



6.0" Corner 45° Block Outside Corner Side Elevation



Corner 45° Block Typical Section



P 877.627.3555 E info@superformicf.ca superformicf.ca
Box 2696, 1065 Willow Street, Pincher Creek, AB T0K 1W0

6.0" 45° Corner Block

Drawn By: Laura Trent | Date: October 2013 | Pg No: 1 of 1 | DWG No: 1.5.3
Copyright © Superform Products Ltd. 2019